

Vegetable Slicer TR260 Vegetable Slicer with flat panel - 1 Speed

ITEM # _____

MODEL # _____

NAME # _____

SIS # _____

AIA # _____


603275 (TR260FIV)

Vegetable Slicer for high productivity, motor unit, ejector included. 1 speed 330 rpm

Short Form Specification

Item No. _____

Universal vegetable slicer to serve 300 up to 1000 settings for table service and up to 4000 settings for catering service. 1 speed (330 rpm). 1500W self-braking motor. Stainless steel motor housing and aluminium basement. "No volt release" safety device. Touch button control panel with on/off and pulse function. Cutting disc diam. 300mm. Automatic hopper, lever-operated hopper, long vegetable hopper and cabbage hopper available upon request. The touch button control panel has IP65 protection with low voltage level.

Main Features

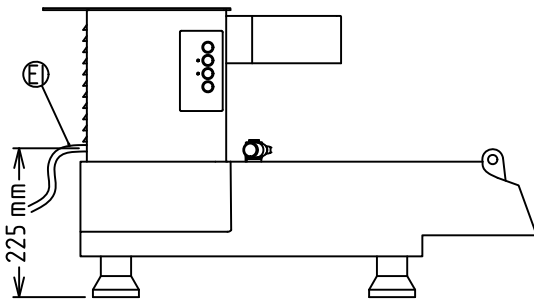
- Vegetable slicer with slicing, grating, shredding (julienne) as well as dicing and French fries cutting capability.
- Continuous feed model.
- "No volt release" safety device.
- Magnetic safety system and motor brake. Prevents machine from running when lever swings away or is open.
- Pulse function for precise cutting.
- Available upon request:
 - Automatic hopper (dia=280 mm), lever-operated hopper, long vegetable hopper (3 tubes) and cabbage hopper.
- Available as option a long vegetable accessory to fit in the lever operated hopper converting it into a long vegetable hopper (3 cylindrical hoppers: 50, 59,5, 70 mm diameter)
- Optional stainless steel mobile stand accessory.
- Complete selection of blades and dicing grids available (diameter 300 mm).
- Suitable for up to 600 meals for table service and up to 2000 meals for catering service.

Construction

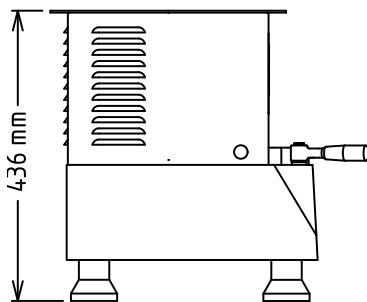
- Stainless steel motor housing with aluminum basement.
- 1 speed: 330 rpm
- Power: 1500 watts.
- Capacity depending on the hopper:
 - lever hopper: 700kg/h
 - automatic hopper: 2500kg/h

APPROVAL: _____

Front

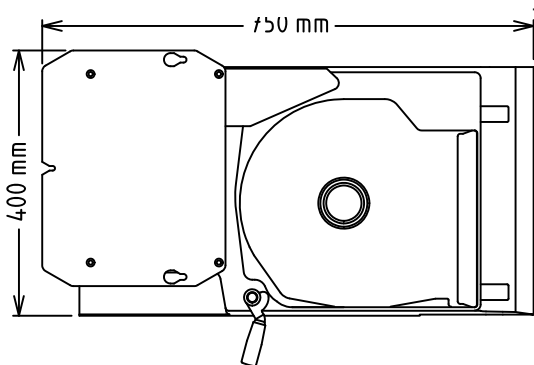


Side



EI = Electrical inlet (power)

Top



Electric

Supply voltage:

603275 (TR260F1V) 220-240 V/1N ph/50 Hz

Electrical power max.: 1.5 kW

Total Watts: 1.5 kW

Capacity:

Performance (up to): 2500 kg/hour

Key Information:

External dimensions, Width: 750 mm

External dimensions, Depth: 400 mm

External dimensions, Height: 440 mm

Shipping weight: 60 kg

Optional Accessories

- Feed tray to be combined with cabbage hopper and long vegetable hopper PNC 650036
- Cabbage slicing disc with central shaft for stem removal 1mm (to be used with cabbage feed hopper) PNC 653009
- Stainless steel mobile stand. Height: 730 mm PNC 653017
- Lever-operated hopper for TR260 (including feed tray) PNC 653036
- Automatic feed hopper for TR260 PNC 653037
- Large hopper for TR260, diam. 280mm PNC 653048
- Dicing grid 10 mm for TR260 PNC 653051
- Dicing grid 16 mm for TR260 PNC 653052
- Dicing grid 20 mm for TR260 PNC 653053
- Dicing grid 25 mm for TR260 PNC 653054
- Dicing grid 32 mm for TR260 PNC 653055
- Slicing disc 2 mm (dia. 300 mm) PNC 653172
- Slicing disc 3 mm (dia. 300 mm) PNC 653173
- Slicing disc 1 mm (dia. 300 mm) PNC 653188
- Slicing disc 5 mm (dia. 300 mm) PNC 653189
- Slicing disc 6 mm (dia. 300 mm) PNC 653190
- Slicing disc 8 mm (dia. 300 mm) PNC 653191
- Slicing disc 10 mm (dia. 300 mm) PNC 653192
- Slicing disc 16 mm (dia. 300 mm) PNC 653193
- Shredding disc 2x2 mm (dia. 300 mm) PNC 653195
- Shredding disc 3x3 mm (dia. 300 mm) PNC 653196
- Shredding disc 4x4 mm (dia. 300 mm) PNC 653197
- Shredding disc 6x6 mm (can also be used for chips - dia. 300 mm) PNC 653198
- Shredding disc 8x8 mm (can also be used for chips - dia. 300 mm) PNC 653199
- Shredding disc 10x10 mm (can also be used for chips - dia. 300 mm) PNC 653200
- Stainless steel disc rack for 300 dia. discs PNC 653212
- Disc with corrugated blades 2 mm (dia. 300 mm) PNC 653217
- Disc with corrugated blades 3 mm (dia. 300 mm) PNC 653218
- Disc with corrugated blades 6 mm (dia. 300 mm) PNC 653219
- Long vegetable accessory for TR260 lever-operated hopper (to change the lever-operated hopper into long vegetable hopper) PNC 653223
- Stainless steel trolley suitable to hold one 2/1 GN container (GN container not included) PNC 653224
- Cabbage slicing disc with central shaft for stem removal 2 mm (to be used with cabbage feed hopper) PNC 653227
- Cabbage slicing disc with central shaft for stem removal 3 mm (to be used with cabbage feed hopper) PNC 653228
- Dicing grid 12 mm for TR260 PNC 653301
- Long vegetable hopper with 3 tubes diam. 50 to 70 mm for TR260 PNC 653306